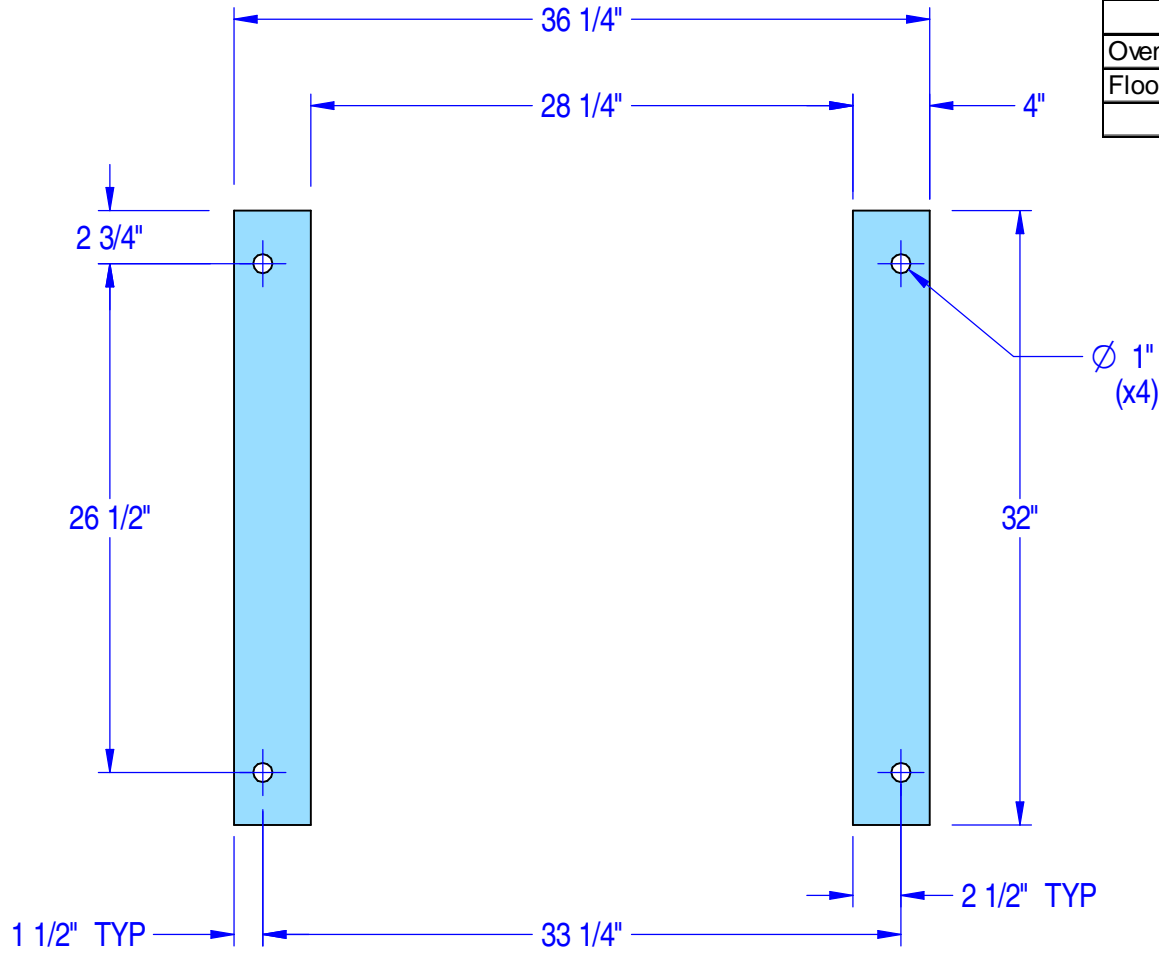


Contact Area of Oven Stand	256	in ²	165161	mm ²
	1.78	ft ²	0.165	m ²
Oven Weight	2,400	lb	10675	N
Floor Loading of Oven Stand	1,350	lb/ft ²	64635	N/m ²
	9.38	lb/in ²	65	kPa



Oven's Contact Area with Floor

An ongoing program of product improvement may require us to change specifications without notice.

DIMENSIONS ARE IN INCHES
TOLERANCES: LINEAR $\pm 1/4$
UNLESS NOTED OTHERWISE

THE INFORMATION CONTAINED IN THIS DRAWING IS THE SOLE PROPERTY OF WOOD STONE CORPORATION
ANY REPRODUCTION OR USE IN PART OR AS A WHOLE WITHOUT THE WRITTEN PERMISSION OF WOOD STONE IS PROHIBITED

SHEET: **1 of 1**

REV:

DWN BY: **charleyh**

1

Wood Stone

Bellingham, WA 98226 (360) 650-1111 www.woodstone-corp.com

Mt. Series Stone Hearth Oven
Mt. Chuckanut 4' (WS-MS-4) Foot Print

PART #: **001-504-FP**

DATE: **5/31/2013**